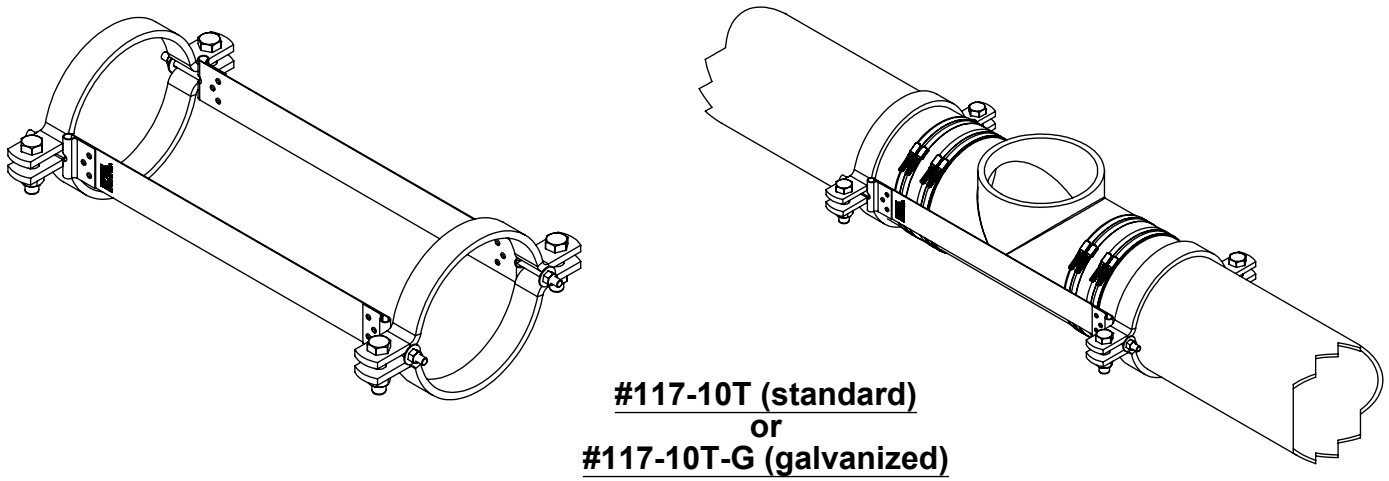


# PRODUCT SPECIFICATION DRAWING

## HOLDRITE® #117-10 (T or T-G) Series No-Hub Fitting Restraints



THE HOLDRITE® #117-10T or -10T-G Series No-Hub Fitting Restraint is designed to reinforce no-hub cast iron installations in accordance with the installation instructions of U.S. cast iron soil pipe manufacturers, CISPI Designation 310-11 and the 2006 CISPI Installation Handbook. The #117-10T or -10T-G (10" pipe size) retains a test tee/clean out tee onto adjoining piping. When installed correctly, these restraint brackets achieve a safe thrust pressure rating equal to 50' head of water pressure. Torque pipe clamps to 60 ft./lbs. Model ending in "-G" represents "galvanized".

**NOTE:**

While these restraint kits aid in compliance with the 2006 CISPI Handbook, they are not intended to suggest that no-hub pipe and fittings should be subjected to pressures in excess of the pipe manufacturers' recommendations.

**Product Information:**

- Material:
  - Strap: 16GA, CRS, Galvanized Steel
  - Clamp: Heavy Duty Black or Galvanized Steel Pipe Clamp
  - Hardware: Standard (T) or Galvanized (T-G)
- Patent pending
- Thrust force restraint test data available upon request
- Refer to installation instructions at [www.holdrite.com](http://www.holdrite.com)

THIS INFORMATION IS PROPRIETARY TO HOLDRITE AND IS SUBJECT TO CHANGE WITHOUT NOTICE. IT MAY NOT BE REPRODUCED IN PART OR WHOLE WITHOUT WRITTEN AUTHORIZATION.



Product Submittal	
Job Name:	
Date:	
Part Number:	Qty:
Architect / Owner:	
Contractor:	
Notes:	