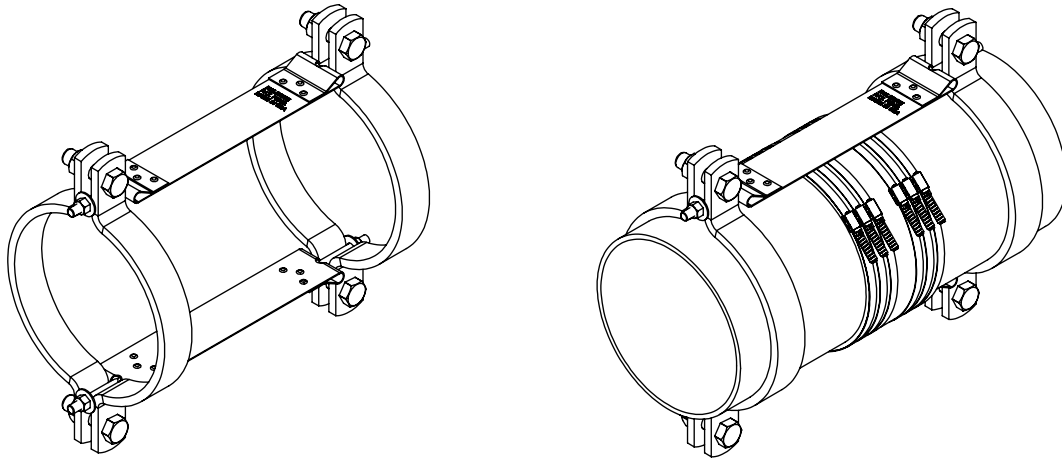


PRODUCT SPECIFICATION DRAWING
HOLDRITE® #117-10, -12 & -15 (S or S-G) Series No-Hub Fitting Restraints



#117-10S, -12S or -15S (standard)
 or
#117-10S-G, -12S-G or -15S-G (galvanized)

THE HOLDRITE® #117-S Series No-Hub Fitting Restraints are designed to reinforce no-hub cast iron installations in accordance with the installation instructions of U.S. cast iron soil pipe manufacturers, CISPI designation 310-11 and 2006 CISPI Installation Handbook. When installed correctly, these restraint brackets achieve a safe thrust pressure rating equal to 50' head of water pressure for 10" models and 40' for 12"-15". Pipe clamps to be torqued to 60 ft./lbs.

NOTE:

While these restraint kits aid in compliance with the 2006 CISPI Handbook, they are not intended to suggest that no-hub pipe and fittings should be subjected to pressures in excess of the pipe manufacturers' recommendations.

Product Information:

- Material:
 - Strap: 16GA, CRS, galvanized
 - Clamp: Heavy Duty Black or Galvanized Steel Pipe Clamp
 - Hardware: Standard (S) or Galvanized (S-G)
- Patent pending
- Thrust force restraint test data available upon request
- Refer to installation instructions at www.holdrite.com

THIS INFORMATION IS PROPRIETARY TO HOLDRITE AND IS SUBJECT TO CHANGE WITHOUT NOTICE. IT MAY NOT BE REPRODUCED IN PART OR WHOLE WITHOUT WRITTEN AUTHORIZATION.

| Product Submittal | |
|--------------------|------|
| Job Name: | |
| Date: | |
| Part Number: | Qty: |
| | |
| Architect / Owner: | |
| | |
| Contractor: | |
| | |
| Notes: | |
| | |
| | |



CONVERTING MAKE-SHIFT METHODS INTO ENGINEERED SOLUTIONS™