

No-Hub Fitting Restraints

HoldRite #117 Series



A valued member of the RWC family of brands



RWC is a powerful family of innovative brands that deliver, control, optimize and solve to make our customers' lives easier. As part of the RWC family, HoldRite® adds value through providing plumbing and firestop solutions that operate as an efficient system with our other subsidiaries.

We own every part of our manufacturing process from concept to delivery, and strive each day to ensure the quality of our products. HoldRite products have been designed and manufactured in the USA since 1982.

HoldRite has created a national footprint with strategically placed locations across the United States. With allied resources in Georgia, Alabama, Tennessee, Nevada, California, and Toronto, HoldRite is able to distribute patent protected products to consumers in North America.

About HoldRite®

In 1982, Master Plumber George Hubbard designed a pipe support solution (The HoldRite® 101-18) to replace the time-consuming and labor-intensive method of cutting blocks of wood for every job. Hubbard's invention revolutionized plumbing in North America by ushering in the plumbing methodology of secondary pipe support.

Today, HoldRite is an industry leader in products and services including secondary pipe supports, acoustic noise and vibration plumbing solutions, sleeving and firestop systems, equipment support, water heater accessories, and drain waste and vent (DWV) solutions.

Understanding your perspective has always been in our DNA. Even though we've evolved into an international company and recognized brand leader, we know our value comes from providing superior products and services for building projects, without increasing costs.

Thank you for giving us the opportunity to pioneer new products and transform the plumbing industry together.

holdrite.com



The only engineered no-hub restraint devices on the market

HoldRite 117 Series Products

The patented HoldRite #117 Series No-Hub Fitting Restraints prevent separation of no-hub pipe fittings at changes of direction or straight in-line joints. These engineered restraints protect against water blow-outs in rain leader and sanitary waste systems. These restraints support joints from separation of both longitudinal movements and diagonal misalignment.

HoldRite #117 Series installs in minutes without on-site cutting, bending, measuring, or modifications needed. With over 160 configurations and sizes up to 15", HoldRite #117 Series No-Hub Fitting Restraints provide the ideal professional solution for no-hub DWV joints in potential thrust force situations.

*HoldRite #117 Series No-Hub Fitting Restraints Solutions assist compliance with no-hub cast iron joint bracing as required by no-hub cast iron manufacturers, CISPI, and other codes and standards. Use does not affect other manufacturers' ratings or limitations on their pipe or system components, nor increase allowable pipe, fitting, or coupling system pressures. Install per manufacturer instructions.



Numerous configurations solutions up to 15"

HoldRite #117 Series

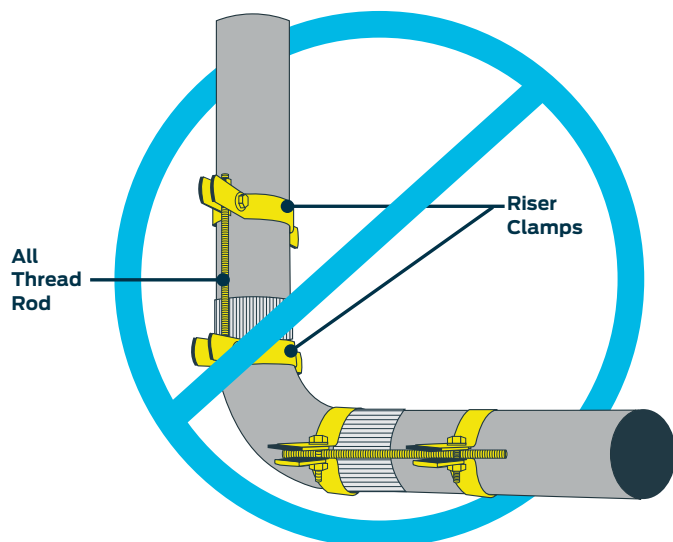
Installs in minutes without on-site cutting, bending, measuring, or modifications needed. With over 160 configurations and sizes up to 15", HoldRite #117 Series No-Hub Fitting Restraints provide the ideal professional solution for no-hub DWV joints in potential thrust force situations.



Features & Benefits

- Ideal for restraining Hubless Cast Iron Soil Pipe joints against separation during high thrust conditions
- Hubless Cast Iron Soil Pipe Restraint Kits for pipe sizes 2" through 8" consist of galvanized steel straps with high strength, high torque stainless steel band clamps.
- For pipe sizes 10" through 15" kits consist of heavy-duty pipe clamps (available in both black iron and galvanized), heavy gauge galvanized steel straps and T-bolts with matching hardware.
- Meets installation guidelines as specified in CISPI Installation Handbook
- Installs in minutes
- Built with stainless steel, black iron and/or galvanized components
- No special tools required for installation
- No field cutting or modifications required
- All components included in each kit
- List price sheet available on holdrite.com

Problematic makeshift methods



No-Hub Fitting Restraints



#117-K Series - 1/4 Bends and Short Sweep 1/4 Bend Restraints

Features and benefits

- 1/4 Bends and Short Sweep 1/4 Bend Restraint Kits (2" - 8")
- Includes two galvanized straps and five stainless steel band clamps

Model number	For pipe size(s)	Box qty
117-3K	2"-3"	6
117-4K	4"	6
117-5K	5"	6
117-6K	6"	6
117-8K	8"	6



#117-K Series - Short Sweep 1/4 Bend Restraints

Features and benefits

- Short Sweep 1/4 Bend Restraint Kits (10" - 15")
- Includes two galvanized straps and black iron pipe clamps

Model number	For pipe size(s)	Box qty
117-10K	10"	2
117-12K	12"	2
117-15K	15"	1



117-15K-G

#117-K-G Series - Short Sweep 1/4 Bend Restraints

Features and benefits

- Short Sweep 1/4 Bend Restraint Kits (10" - 15")
- Includes all galvanized steel components

Model number	For pipe size(s)	Box qty
117-10K-G	10"	2
117-12K-G	12"	2
117-15K-G	15"	1



117-4LS

#117-LS Series - Long Sweep 1/4 Bend Restraints

Features and benefits

- Long Sweep 1/4 Bend Restraint Kits (2" - 6")
- Includes 2 galvanized steel straps and 5 stainless steel band clamps

Model number	For pipe size(s)	Box qty
117-3LS	2" - 3"	1
117-4LS	4"	1
117-6LS	6"	1



117-4LL

#117-LL Series - Double 1/8 Bend Restraints

Features and benefits

- Double 45° 1/8 Bend Restraint Kits
- Includes two galvanized straps and six stainless steel band clamps.

Model number	For pipe size(s)	Box qty
117-3LL	2" - 3"	1
117-4LL	4"	1
117-6LL	6"	1
117-8LL	8"	1



117-4L

#117-L Series - 1/16, 1/8 and 1/6 Bend Restraints

Features and benefits

- 1/16, 1/8 and 1/6 Bend Restraint Kits (2" - 8")
- Includes two galvanized steel straps and five stainless steel band clamps.

Model number	For pipe size(s)	Box qty
117-3L	2" - 3"	6
117-4L	4"	6
117-5L	5"	6
117-6L	6"	6
117-8L	8"	6



117-10L

#117-L Series - 1/8 Bend Restraints

Features and benefits

- 1/8 Bend Restraint Kits (10" - 15")
- Includes two black iron clamps with T-bolts and two galvanized steel straps.

Model number	For pipe size(s)	Box qty
117-10L	10"	2
117-12L	12"	1
117-15L	15"	1



117-10L-G

#117-L-G Series - 1/8 Bend Restraints

Features and benefits

- 1/8 Bend Restraint Kits (10" - 15")
- Includes all galvanized steel components.

Model number	For pipe size(s)	Box qty
117-10L-G	10"	2
117-12L-G	12"	1
117-15L-G	15"	1



117-4CE

#117-CE Series - Combo-End-of-Line Position Restraints

Features and benefits

- End-of-line, combination Wye and 1/8 bend fitting with blind plug restraint kits
- Include three galvanized steel straps with six stainless steel band clamps for kits up to 4".
- Kits for combos with 5" or larger barrels include four galvanized steel straps and eight stainless steel band clamps.

Model number	For pipe size(s)	Box qty
117-3CE	2" - 3"	1
117-4CE	4"	1
117-4x3CE	4" x 3" (or 4" x 2")	1
117-5CE	5"	1
117-5x4CE	5" x 4"	1
117-6CE	6"	1
117-6x5CE	6" x 5"	1
117-6x4CE	6" x 4"	1
117-6x3CE	6" x 3" (or 6" x 2")	1
117-8CE	8"	1
117-8x6CE	8" x 6"	1
117-8x5CE	8" x 5"	1
117-8x4CE	8" x 4"	1



#117-CM Series - Combo-Mid-Stream Position Restraints

Features and benefits

- Combination Wye and 1/8 Bend Fitting Restraint Kits
- Includes three galvanized steel straps with six stainless steel band clamps for 3" and 4".
- Kits for fittings with 5" or larger barrels include 4 galvanized steel straps and 8 stainless steel straps.

Model number	For pipe size(s)	Box qty
117-3CM	2" - 3"	1
117-4CM	4"	1
117-5CM	5"	1
117-5x4CM	5" x 4"	1
117-6CM	6"	1
117-6x5CM	6" x 5"	1
117-6x4CM	6" x 4"	1
117-6x3CM	6" x 3" (or 6" x 2")	1
117-8CM	8"	1
117-8x6CM	8" x 6"	1
117-8x5CM	8" x 5"	1
117-8x4CM	8" x 4"	1



#117-W Series - Wye Branch and Sanitary Tee Restraints

Features and benefits

- Wye/Santee Fitting Restraint Kit
- Includes two galvanized steel straps with four stainless steel band clamps for 2" - 4"
- Kits for 5" - 8" branches include 4 galvanized steel straps and 8 stainless steel straps.

Model number	For pipe size(s)	Box qty
117-3W	2" - 3"	1
117-4W	4"	1
117-5W	5"	1
117-5x4W	5" x 4"	1
117-6W	6"	1
117-6x5W	6" x 5"	1
117-6x4W	6" x 4"	1
117-6x3W	6" x 3" (or 6" x 2")	1
117-8W	8"	1
117-8x6W	8" x 6"	1
117-8x5W	8" x 5"	1
117-8x4W	8" x 4"	1



117-10W

#117-W Series - Wye Restraints

Features and benefits

- 10" - 15" Wye Kits with 4" - 8" branches have 2 black iron clamps with T-bolts and 2 galvanized straps with band clamps.
- Kits with 10" - 15" branches have 3 black iron clamps and 5 galvanized straps with T-bolts.

Model number	For pipe size(s)	Box qty
117-10W	10"	1
117-10x4W	10" x 4"	1
117-10x6W	10" x 6"	1
117-10x8W	10" x 8"	1
117-12W	12"	1
117-15W	15"	1



117-10W-G

#117-W-G Series - Wye Restraints

Features and benefits

- 10" - 15" Wye Kits with 4" - 8" branches have two galvanized clamps with T-bolts and two galvanized straps with band clamps.
- Kits with 10"-15" branches have three galvanized clamps and five galvanized straps with T-bolts.

Model number	For pipe size(s)	Box qty
117-10W-G	10"	1
117-10x4W-G	10" x 4"	1
117-10x6W-G	10" x 6"	1
117-10x8W-G	10" x 8"	1
117-12W-G	12"	1
117-15W-G	15"	1



117-12-4WR

#117-WR Series - Wyes with Reducers

Features and benefits

- 12" and 15" Wye Kits with 4" - 8" short reducers include two black iron pipe clamps, two galvanized straps with T-bolts and two galvanized straps with stainless steel band clamps.
- Kits with 10" or 12" reducers include three black iron pipe clamps and four galvanized straps with T-bolts and one galvanized steel strap.

Model number	For pipe size(s)	Box qty
117-12x4WR	12" x 4"	1
117-12x6WR	12" x 6"	1
117-12x8WR	12" x 8"	1
117-12x10WR	12" x 10"	1
117-15x4WR	15" x 4"	1
117-15x6WR	15" x 6"	1
117-15x8WR	15" x 8"	1
117-15x10WR	15" x 10"	1
117-15x12WR	15" x 12"	1



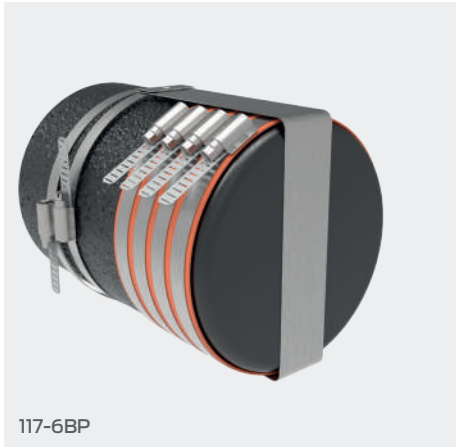
117-12x4WR-G

#117-WR-G Series - Wyes with Reducers

Features and benefits

- 12" and 15" Wye Kits with 4" - 8" short reducers include two galvanized pipe clamps, two galvanized straps with T-bolts and two galvanized straps with stainless steel band clamps.
- Kits with 10" or 12" reducers include three galvanized pipe clamps and four galvanized straps with T-bolts and one galvanized steel strap.

Model number	For pipe size(s)	Box qty
117-12x4WR-G	12" x 4"	1
117-12x6WR-G	12" x 6"	1
117-12x8WR-G	12" x 8"	1
117-12x10WR-G	12" x 10"	1
117-15x4WR-G	15" x 4"	1
117-15x6WR-G	15" x 6"	1
117-15x8WR-G	15" x 8"	1
117-15x10WR-G	15" x 10"	1
117-15x12WR-G	15" x 12"	1



117-6BP

#117-BP Series - Blind Plug Restraints

Features and benefits

- Blind Plug Restraint Kits include one galvanized steel strap with two stainless steel band clamps, for sizes 2" - 8".

Model number	For pipe size(s)	Box qty
117-3BP	2" - 3"	1
117-4BP	4"	1
117-5BP	5"	1
117-6BP	6"	1
117-8BP	8"	1



117-12BP

#117-BP Series - Blind Plug Restraints

Features and benefits

- Blind Plug 10" - 15" Restraint Kits include one black iron pipe clamp and one galvanized steel strap with T-bolts.

Model number	For pipe size(s)	Box qty
117-10BP	10"	1
117-12BP	12"	1
117-15BP	15"	1



117-12BP-G

#117-BP-G Series - Blind Plug Restraints

Features and benefits

- Blind Plug 10" - 15" Restraint Kits include one galvanized pipe clamp and one galvanized steel strap with T-bolts.

Model number	For pipe size(s)	Box qty
117-10BP-G	10"	1
117-12BP-G	12"	1
117-15BP-G	15"	1



#117-R Series - Short Reducer Restraints

Features and benefits

- Short Reducer Fitting Restraint Kits include two galvanized steel straps with four stainless steel straps for 2" - 8" sizes.

Model number	For pipe size(s)	Box qty
117-4x2R	4" x 2"	1
117-4x3R	4" x 3"	1
117-5x2R	5" x 2"	1
117-5x3R	5" x 3"	1
117-5x4R	5" x 4"	1
117-6x2R	6" x 2"	1
117-6x3R	6" x 3"	1
117-6x4R	6" x 4"	1
117-6x5R	6" x 5"	1
117-8x2R	8" x 2"	1
117-8x3R	8" x 3"	1
117-8x4R	8" x 4"	1
117-8x5R	8" x 5"	1
117-8x6R	8" x 6"	1



#117-R Series - Short Reducer Restraints

Features and benefits

- Short Reducers with 10" - 15" x 2" - 8" sizes include one black iron pipe clamp and two galvanized straps with two stainless steel band clamps.
- Short Reducers with 12" - 15" x 10" - 12" reducing sizes include two black iron pipe clamps and two heavy galvanized straps with T-bolts.

Model number	For pipe size(s)	Box qty
117-10x4R	10" x 4"	1
117-10x6R	10" x 6"	1
117-10x8R	10" x 8"	1
117-12x4R	12" x 4"	1
117-12x6R	12" x 6"	1
117-12x8R	12" x 8"	1
117-12x10R	12" x 10"	1
117-15x4R	15" x 4"	1
117-15x6R	15" x 6"	1
117-15x8R	15" x 8"	1
117-15x10R	15" x 10"	1
117-15x12R	15" x 12"	1



117-10xR-G

#117-R-G - Short Reducers

Features and benefits

- Short Reducers with 10" - 15" x 2" - 8" sizes include one galvanized pipe clamp and two galvanized straps with two stainless steel band clamps.
- Short Reducers with 12" - 15" x 10" - 12" reducing sizes include two galvanized pipe clamps and two heavy galvanized straps with T-bolts. ("-G" includes all galvanized steel components.)

Model number	For pipe size(s)	Box qty
117-10x4R-G	10" x 4"	1
117-10x6R-G	10" x 6"	1
117-10x8R-G	10" x 8"	1
117-12x4R-G	12" x 4"	1
117-12x6R-G	12" x 6"	1
117-12x8R-G	12" x 8"	1
117-12x10R-G	12" x 10"	1
117-15x4R-G	15" x 4"	1
117-15x6R-G	15" x 6"	1
117-15x8R-G	15" x 8"	1
117-15x10R-G	15" x 10"	1
117-15x12R-G	15" x 12"	1



117-4S

#117-S Series - End-to-End (Coupling) Restraints

Features and benefits

- End-to-End Restraint Kits for 2" - 8" coupling restraints
- Includes two galvanized straps and four stainless steel band clamps.

Model number	For pipe size(s)	Box qty
117-3S	2" - 3"	6
117-4S	4"	6
117-5S	5"	6
117-6S	6"	6
117-8S	8"	6



117-10S

#117-S Series - End-to-End (Coupling) Restraints

Features and benefits

- End-to-End Restraint Kits for 10" - 15" coupling restraints.
- Includes two black iron pipe clamps and two galvanized steel straps with T-bolts.

Model number	For pipe size(s)	Box qty
117-10S	10"	2
117-12S	12"	1
117-15S	15"	1



117-10S-G

#117-S-G Series - End-to-End (Coupling) Restraints

Features and benefits

- End-to-End Restraint Kits for 10" - 15" coupling restraints include two galvanized pipe clamps and two galvanized steel straps with T-bolts.

Model number	For pipe size(s)	Box qty
117-10S-G	10"	2
117-12S-G	12"	1
117-15S-G	15"	1



117-4T

#117-T Series - Test Tee Restraints

Features and benefits

- Test Tee/Cleanout Tee Restraint Kits
- Includes 2 galvanized straps and 4 stainless steel band clamps.

Model number	For pipe size(s)	Box qty
117-3T	2" - 3"	1
117-4T	4"	1
117-5T	5"	1
117-6T	6"	1
117-8T	8"	1



117-10T

#117-T Series - Test-Tee Restraints

Features and benefits

- Kit includes 2 black iron pipe clamps and 2 galvanized straps with T-bolts.

Model number	For pipe size(s)	Box qty
117-10T	10"	1



117-10T-G

#117-T-G Series - Test-Tee Restraints

Features and benefits

- Kit includes 2 galvanized pipe clamps and 2 galvanized straps with T-bolts.

Model number	For pipe size(s)	Box qty
117-10T-G	10"	1

Are no-hub cast iron restraints required by code?

Yes, at most pipe and fitting joints over 4" in size. **Refer to the following code language:**

- **SECTION 309.4 2015/2018 UPC**
- **SECTION 313.1 2015/2018 UPC**
- **SECTION 308.7.1 2015 IPC**
- **CISPI (Cast Iron Soil Pipe Institute) Designation 310-12 and 301-12**

All US Foundries (AB&I, Charlotte Pipe and Tyler Pipe) Manufacturers' installation instructions contain verbiage regarding the proper restraint methods for their pipes and fittings. Each of these manufacturers state that pipe and fittings over 5" must be restrained, and state that CISPI's Cast Iron Soil Pipe and Fittings Handbook should be used to properly install their pipe and fitting systems.

For a detailed listing of the codes listed above as well as the US Foundries Installation Instructions please contact our Customer Support Department at **800-321-0316** or visit our website **holdrite.com**

HoldRite #117 Series No-hub Fitting Restraint Solutions assist compliance with no-hub cast iron joint bracing as required by no-hub cast iron manufacturers, CISPI and other codes and standards. Use does not affect other manufacturers' ratings or limitations on their pipe or system components, nor increase allowable pipe, fitting or coupling system pressures. Install per manufacturer instructions.

VIP Estimating Services

HoldRite provides a consulting service that will provide you with a comprehensive cost-saving analysis, based on the cost of materials and installation, resulting from the use of HoldRite products on your key projects.

Our VIP Estimating Service includes specification and submittal assistance, 3D CAD drawings, installed cost-savings analysis and custom detail application pages.

Submit Your Plans & Worksheets
holdrite.com/vip/



This no cost service is available for any project

VIP proposals add on average \$20K per project to your bottom line.

- **No cost** material take-offs for your projects
- Electronically transfer your construction plans and documents
- Ten day turn around on VIP Proposals
- Completed by Estimators with over 20 years of plumbing experience
- Ideal for establishing shop standards
- 3-D product drawings available in 5 formats
- Complete BIM library in Autodesk® Revit® format available at bim.holdrite.com

Training

RWC Product Trainers are committed to creating a blended learning environment that features interactive online, classroom and field instructions for the plumbing and water management industry. Our curriculum offers online courses and in-person learning opportunities for plumbing industry professionals.

Online Training

Learn as you go with accessible education that's virtual and self-paced.

On-site Training

Customizable on-site training that includes hands-on instruction and a Factory Trained Installer program.



Get Rewarded

SharkBite, Cash Acme & HoldRite Want To Reward You

Contractor Rewards is our way of saying thanks for being a loyal customer. It's a loyalty program that rewards contractors like yourself by allowing you to earn rewards points from your HoldRite, SharkBite and Cash Acme purchases, as well as from purchase with other leading manufacturers. Simply enroll online at ContractorRewards.com and submit your invoices when you purchase HoldRite, SharkBite or Cash Acme products. Once enrolled, you will be able to check your point's balance, view eligible products and use your points to shop for rewards.





For more information and to
find your nearest dealer visit
holdrite.com

Connect with us



Manufactured & Distributed by Reliance Worldwide Corporation.
HR-117BROCHURE-2019.1.0

AN RWC BRAND
RWC