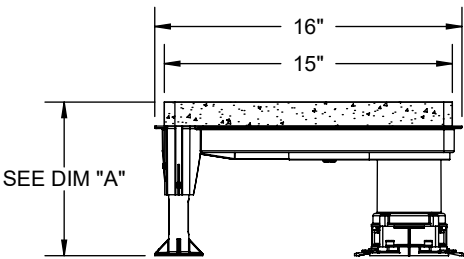
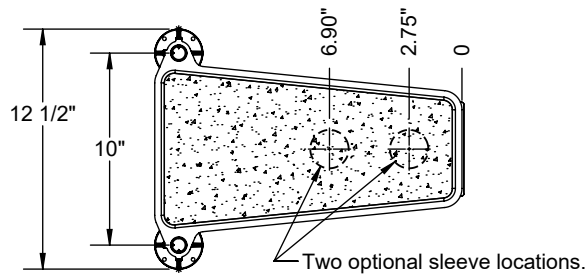
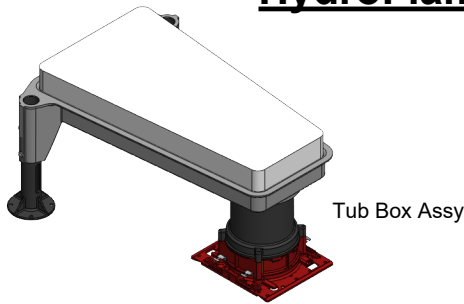


PRODUCT SPECIFICATION DRAWING

HydroFlame Pro Series - Tub Box, Large (2")



Technical Data for HydroFlame Pro Firestop Device	
Product Test Criteria	
UL Fire Tested & Listed to UL1479 (ASTM E814) & CAN/ULC S115	
UL Ratings (consult individual product specs & UL Systems):	
"L": Yes; "F": 3 Hrs. typical; "W": Yes (UL system may require caulk)	
Intumescent Fire Wrap Physical Properties, Performance	
Contains no solvents or carcinogenic fillers	
Color:	Gray/Black
Material shelf/store life:	Indefinite
Heat Expansion begins:	≈ 375°F (191°C)
Greatest Expansion:	575°F-1100°F (302°C - 593°C)
Constrained Expansion:	≥ 18 times volume
Free Expansion:	≥ 37 times volume
Expansion after accelerated weathering (tested to UL 1479):	
Temperature aging:	Pass - 270 days @ 158°F (70°C)
High humidity aging:	Pass - 180 days @ 97-100% humidity, 95°F (35°C)
Application Temperature:	Minimum 15°F (-9°C) / maximum 130°F (54°C)
Temperature Resistance:	Maximum 212°F (100°C)
Surface Burning Indicates (Per ASTM E84/UL 723):	
Flame spread:	5
Smoke developed:	5

Foam Thickness	Dim "A"
2.50"	8"
3.50"	9"
4.50"	10"

SKU	Slab	Sleeve I.D.
HFPLTB-NP-0200-8	8"	Ø2.83"
HFPLTB-TW-0200-8	8"	
HFPLTB-NP-0200-9	9"	
HFPLTB-TW-0200-9	9"	
HFPLTB-NP-0200-10	10"	
HFPLTB-TW-0200-10	10"	

The **HOLDRITE® HydroFlame Pro Series "Tub Box"** is a UL-Listed firestop device for bathtub drains. Metallic or non-metallic drain piping can be used. Thin wall drain piping requires a rubber tub box donut (included with the #HFPLTB-TW-0200-X). Nominal 1-1/2" IPS sized drain piping does not require a rubber donut (not included with the #HFPLTB-NP-0200-X). Standard tub box assembled heights are 8", 9" & 10". Kit can be cut to 5" minimum height. Rear legs are adjustable for 8"-10" Tub Box heights. For thicker slabs, add HFP sleeve extensions.

Product Information:

- Material:
 - Tub Box Shell, Legs: ABS
 - Spigot Adapters: PVC
 - Box Insert: Expanded Polystyrene or similar
 - Sleeve: See materials listed on Spec. Sheet for #HFP-P2 Sleeve.
- Patented & Patents Pending
- HydroFlame Pro Sleeve tested in accordance to ASTM E90. Please see appropriate testing reports for further STC information.
- See Hydroflame Pro Series Installation Instructions, Best Practices documents and the latest UL Fire Resistive Directory file (R25101) for details.

Product Submittal	
Job Name:	
Date:	
Part Number:	Qty:
Architect / Owner:	
Contractor:	
Notes:	

THIS INFORMATION IS PROPRIETARY TO HOLDRITE AND IS SUBJECT TO CHANGE WITHOUT NOTICE. IT MAY NOT BE REPRODUCED IN PART OR WHOLE WITHOUT WRITTEN AUTHORIZATION.

