

SharkBite® EvoPEX™ Stop Valve

DESCRIPTION

SharkBite EvoPEX stop valves are for use in residential or commercial systems and approved for potable water and glycol (up to 100% mix) in hot and cold domestic water systems as well as radiant heating systems. SharkBite EvoPEX stop valves are intended to be installed with SharkBite PEX pipe as a holistic system.

FEATURES AND BENEFITS

Instant push-to-connect ends for quick installation, immediate testing, and ease of use:
ID pipe seal, permanent connection, visual indicator to confirm connection, no tools, solder, clamps, rings, unions, or glue required.

1/4 turn brass ball:
Secure shutoff and great corrosion resistance



TECHNICAL DATA

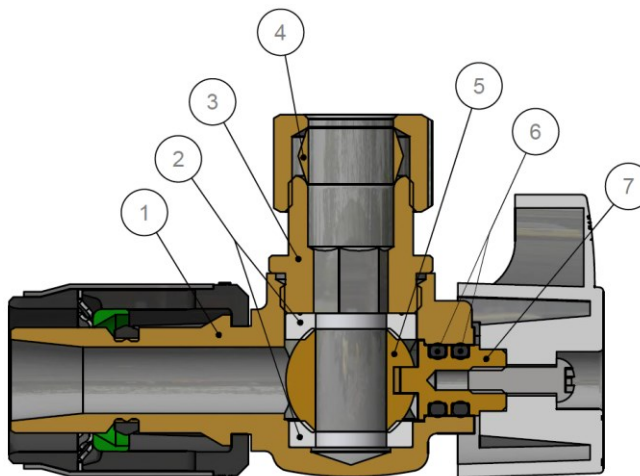
Performance:

Pressure @ Temperature Ratings

80 psi @ 200°F
 100 psi @ 180°F
 200 psi @ 73.4°F

SharkBite Materials:

Item	Material
1 – Body	DZR LF Brass
2 – Seat	PTFE
3 – Body Adapter	DRZ LF Brass
4 – Olive	Copper
5 – Ball	DZR LF Brass
6 – Stem O-Ring	EPDM
7 – Stem	Brass



CERTIFICATIONS

SharkBite® EvoPEX™ stop valves 1/2", angle and straight

Certified to NSF/ANSI 359 and ASTM F877.

Listed to ASME A112.18.1/CSA B125.1-12, NSF/ANSI 61, NSF 372, by IAPMO.

UPC, IPC, and NPC of Canada compliant

Patent pending

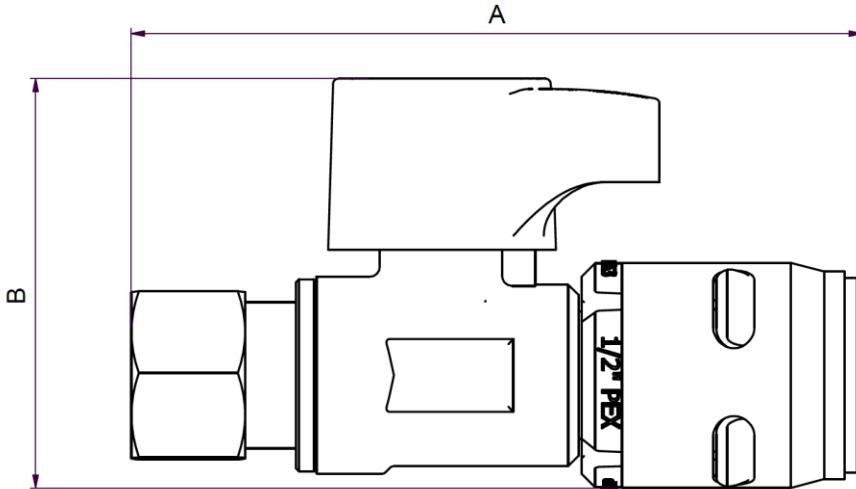
SPECIFICATION

SharkBite EvoPEX stop valves shall be installed on SharkBite PEX complying with ASTM F876 or CSA B137.5. The fittings shall be made of DZR LF Brass and be compliant with ASME A112.18.1/CSA B125.1-12. The fittings shall be used in a potable water system not to exceed 80 psi @ 200°F, 100 psi @ 180°F, or 200 psi @ 73.4°F



SharkBite® EvoPEX™ Stop Valve

PART	DESCRIPTION	A	B	WEIGHT
K23037	STRAIGHT STOP 1/2" X 3/8" COMP	2.789	1.548	0.244



PART	DESCRIPTION	A	B	WEIGHT
K23036	ANGLE STOP 1/2" X 3/8" COMP	2.653	1.631	0.244

