

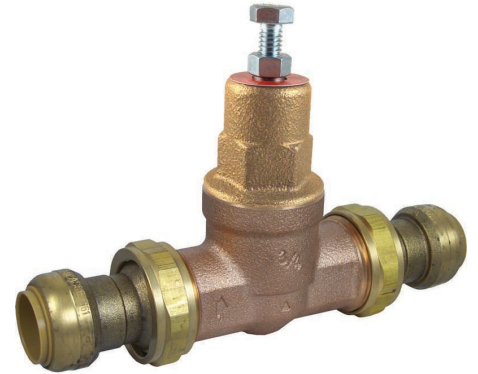
EB-45 Double Union SharkBite® Pressure Regulating Valve

DESCRIPTION

The Cash Acme EB-45 Double Union SharkBite Pressure Regulating Valve (EB45-DUSB) is a lead free* half-cartridge based pressure reducing and regulating valve with a bronze body. The valve construction is similar to a traditional regulator in that it retains a separate spring chamber and adjusting screw, but offers the simplicity and maintenance benefits of a cartridge based valve.

The EB45-DUSB is assembled using modular construction methods and features union SharkBite connections in 1/2" through 1" sizes. Connect the SharkBite pressure regulating valve to copper tubing, and CTS CPVC and PEX in seconds with ease.

The EB45-DUSB is supplied by the factory with a standard delivery setting of 45 psi. The outlet pressure can be adjusted from 10-70 psi without changing the spring. This valve is intended for use where supply line pressure does not exceed 200 psi, and is suited for either cold or hot (to 180°F) water service.



FEATURES AND BENEFITS

Modular Cartridge Design reduces the number of parts requiring service:
Quick and Easy Service/Repair.

Instant push-fit connections for increased ease of use:
No soldering, glue or tools required to make connection.

Rugged bronze body:
Superior reliability, improved user safety.

Compact pressure reducing valves:
Smaller installation footprint and economically priced.

Certified to ASSE Standard 1003, CSA Standard B356, and ASSE Standard 1061. Listed by IAPMO and ASSE and certified lead free complying with NSF 372:
Inspector friendly for peace of mind.

Back-pass check mechanism integral with the cartridge:
No add-on or small parts, longer life and more reliable performance.

Every valve is tested for performance prior to shipping:
Specify and install with confidence.

Assembled and tested in the USA:
Prepared in our manufacturing plant in Cullman, Alabama.

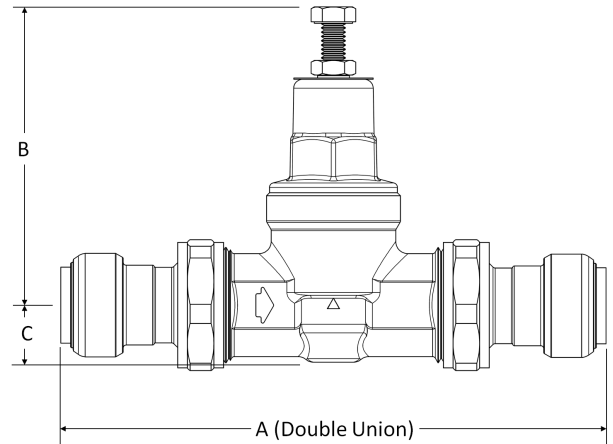
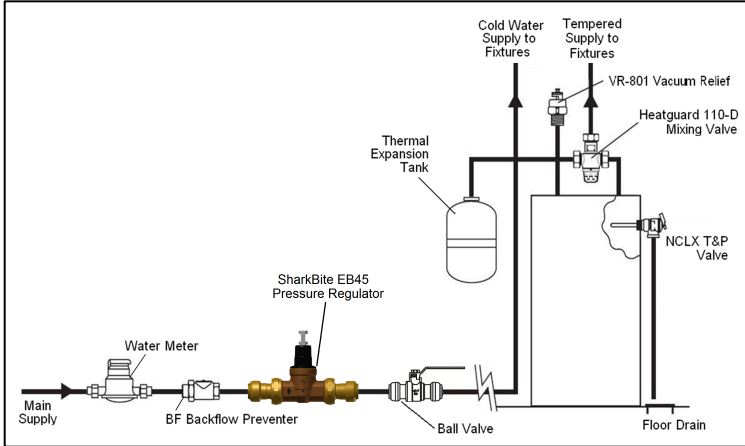


SPECIFICATION

A pressure regulating valve shall be installed to reduce high supplies of incoming water pressure. The valve shall be approved in accordance with ASSE standard 1003, CSA standard B356 and IAPMO UPC. The valve shall have a bronze body, brass and stainless steel internals, an EP diaphragm, stainless steel strainer screen, an inbuilt back-pass check, and integral SharkBite push-to-connect ends. The valve shall be used on copper tubing, and CTS CPVC and PEX. The valve shall be a **Cash Acme EB-45 Double Union SharkBite Pressure Reducing Valve**.

EB-45 Double Union SharkBite® Pressure Regulating Valve

TYPICAL INSTALLATION



SPECIFICATION DATA

Performance:

Maximum pressure.....	200 psi
Maximum temperature	180°F (93°C)
Service.....	Potable Water
Outlet pressure range.....	10-70 psi

EB45-DSB Valve Materials:

Body.....	Lead Free* Bronze
Spring Chamber:	
1/2" and 3/4" Models.....	Reinforced Engineered Polymer or Iron
1" Model.....	Iron
Adjustable Spring.....	Steel (zinc plated)
Pressure Plate.....	Steel (zinc plated)
Diaphragm.....	Reinforced EPDM
Body Seat:	
1/2" and 3/4" Models.....	Polyphenylene Ether +PS
1" Model.....	Polysulfone
Seat Disc.....	EPDM
Piston.....	Stainless/Brass
Strainer Screen.....	Stainless Steel
O-Ring.....	EPDM

SharkBite® Materials:

Body.....	Lead Free* DZR Brass
O-ring.....	EPDM
Grab ring.....	Stainless steel
Tube support liner.....	Polysulfone

DIMENSIONS (Inches)

Size	Connection Style	A (Double Union)	B	C
1/2"	Double Union	5.88"	4.37"	0.75"
3/4"		7.05"		
1"	SharkBite	8.71"	4.35"	1.05"

WATER CAPACITY (gpm)

Pipe Size	P ₂ Variation (PSI)	Differential Pressure (P ₁ -P ₂) PSI			
		10	25	50	100+
1/2" & 3/4"	5	1.8	2.3	2.4	2.8
	10	4.8	5.3	6.0	8.9
	15	9.1	10.0	10.9	11.8
1"	20	14.3	15.8	16.5	16.6
	5	1.5	2.0	2.7	6.9
	10	8.7	12.8	13.6	17.5
	15	14.2	20.9	27.3	28.0
	20	17.3	25.7	30.9	42.8

CERTIFICATIONS

The **Double Union SharkBite EB45 Pressure Reducing Valve** is certified to standards **ASSE 1003** and **CSA B356** and is listed by **ASSE** and **IAPMO (cUPC)**. The **SharkBite push-fit fittings** have been design certified and listed to **ASSE 1061/NSF 61**, listed by **IAPMO**, and are certified for potable water distribution. The **Double Union SharkBite EB45 Pressure Reducing Valve** is compliant with NSF 372.

*For all models, surfaces that are in contact with consumable water contain less than 0.25% lead by weight.