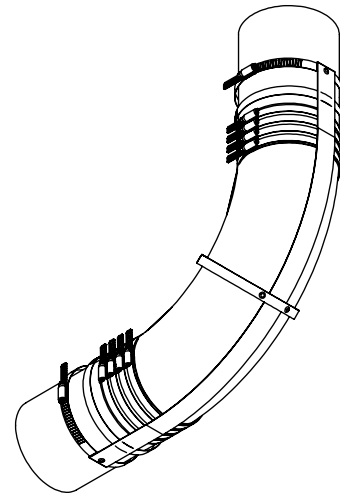
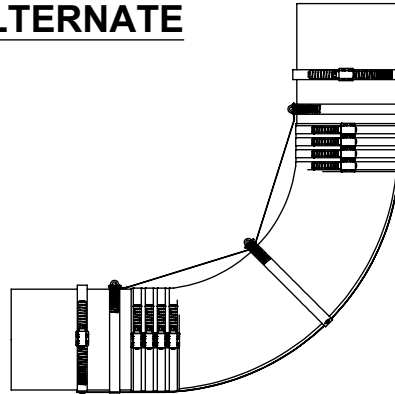


**ALTERNATE**



**NO-HUB CAST IRON FITTING RESTRAINT #117-K SERIES**  
**(2" – 8" Sizes)**

THE HOLDRITE® #117-K SERIES RESTRAINT KIT PROVIDES SUPPORT FOR NO-HUB FITTING JOINTS IN HIGH THRUST CONDITIONS. SHOWN ABOVE IS THE SHORT SWEEP QUARTER-BEND SUPPORT. (#117-3K, #117-4K, #117-5K, #117-6K & #117-8K)

THIS INFORMATION IS PROPRIETARY TO HOLDRITE AND IS SUBJECT TO CHANGE WITHOUT NOTICE. IT MAY NOT BE REPRODUCED IN PART OR WHOLE WITHOUT WRITTEN AUTHORIZATION.

**HOLDRITE®**  
CONVERTING MAKESHIFT METHODS INTO ENGINEERED SOLUTIONS<sup>SM</sup>

800-321-0316 OR 760-744-6944 / FAX: 760-744-0507 / WWW.HOLDRITE.COM  
50-005543-000, RevC (No-Hub Cast Iron Fitting Restraint #117-K Series)